



MV9700

Portable DVD with TV/USB/SD/MMC

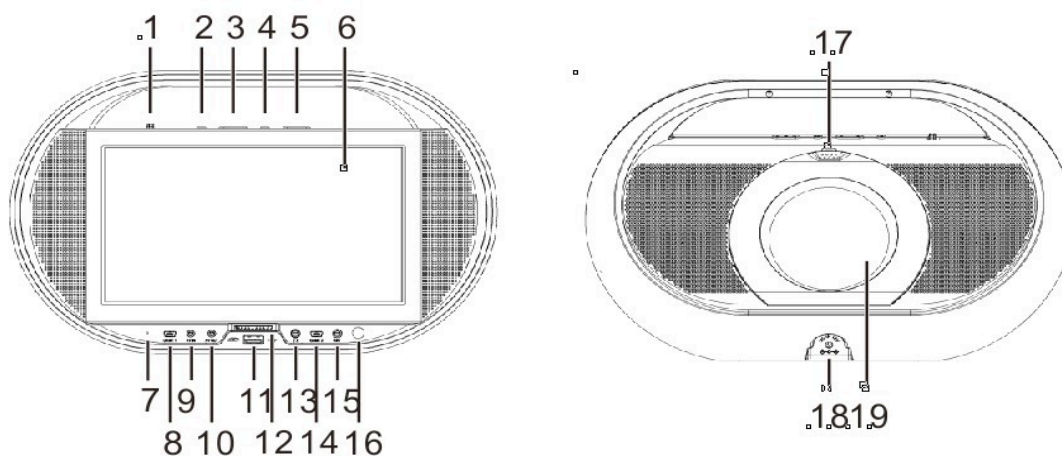


INSTRUCTION MANUAL

Components or manufacturing process may be subject to change within the specification for improving purpose.

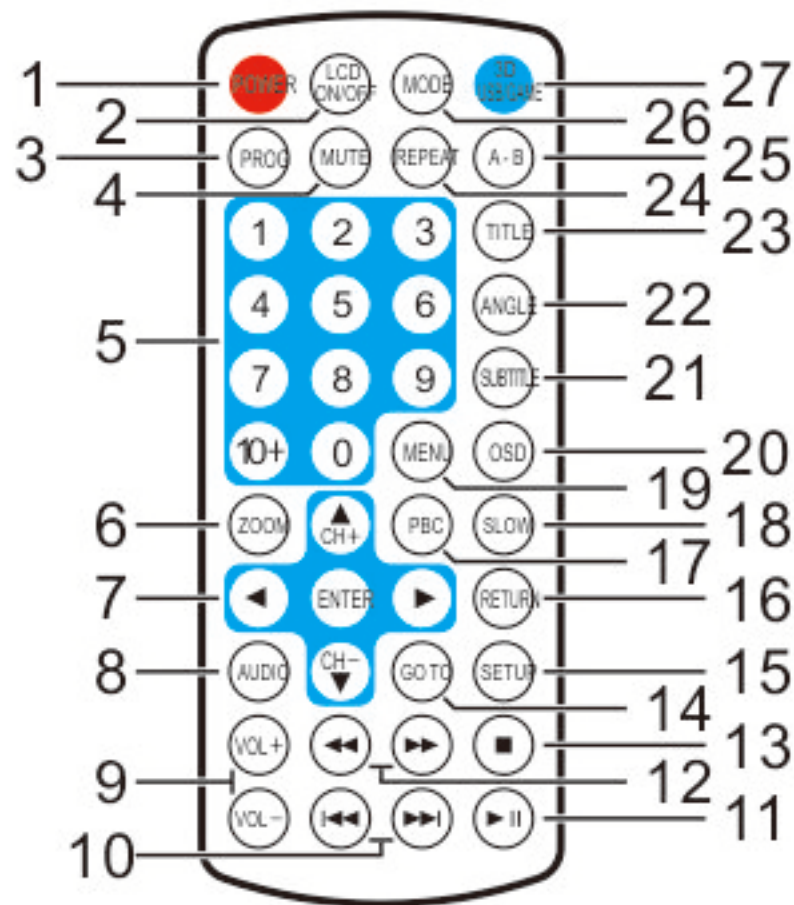
Thank you for buying this product.

1 Head unit



- 1) ON/OFF: Turns on/off DVDplayer.
- 2) MODE: Press to switch between the following mode: TV IN--FM--AV IN--DVD.
- 3) VOLUME: Increase or decrease the volume.
- 4) PLAY / PAUSE: Press to switch sequentially between playback and pause.
- 5) PREVIOUS : Press to return to the previous tracker (chapter).
NEXT : Press to go to the next tracker (chapter).
- 6) LCD Display
- 7) Power LED
- 8) GAME 1: Game 1 jack.
- 9) AV IN: Audio/video input jack.
- 10) AV OUT: Audio/video output jack.
- 11) USB: USB jack.
- 12) SD/MMC: SD/MMC jack.
- 13) PHONE: Headphone jack.
- 14) GAME 2: Game 2 jack.
- 15) IR
- 16) ANT: Ant jack.
- 17) OPEN: Opens/closes the disc cover.
- 18) DC IN: Power supply socket, DC 12 V.

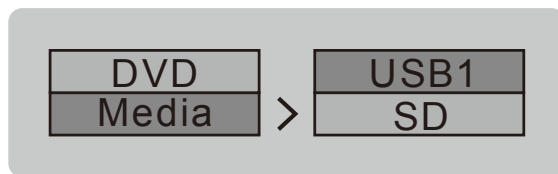
2.Remote control



- 1) POWER : Power on or power off.
- 2) LCD ON/OFF : Turns on/off LCD monitor.
- 3) PROG
- 4) MUTE : Switch between mute on or mute off.
- 5) 0-10 buttons : Press to directly select the desired track, preset tuning or disc.
- 6) ZOOM : 1/4, 1/3, 1/2, 2, 3, 4
- 7) Direction & Enter : Navigates menus.
- 8) AUDIO : Press to change the audio language during DVD playback.
- 9) VOLUME : Press to increase or decrease the volume.
- 10) PREVIOUS : Press to return to the previous tracker (chapter).
NEXT : Press to go to the next tracker (chapter).
- 11) PLAY / PAUSE : Press to switch sequentially between playback and pause.
- 12) REVERSE : Press to perform fast reverse..
FORWARD : Press to perform fast forward.
- 13) STOP : Press to stop playback.
- 15)SETUR
- 16) RETURN : Press to display the PBC menu during PBC playback..

- 17) PBC : During Playing SVCD,VCD 2.0 with PBC function .you can enjoy a simple PBC interactive function.
- 18) SLOW : Each time you press, it changes the speed in four steps in the following order: 1/2--1/4--1/8--1/16.
- 19) MENU : Enter the menu display
- 20) OSD : Show the title and chapter currently playing.
Show the elapsed playing time of the current chapter.
- 21) SUBTITLE : Press to change the subtitle language during DVD playback.
Press to copy the music from CD to USB flash disk.
- 22) ANGLE : Select DVD camera angle.
- 23) TITLE : Show the title currently playing.
- 24) REPEAT :
There are three repeat play ranges for the DVD playback: all, chapter and title .
For TV, press to return to the previous display.
- 25) A-B button
- 26) MODE : Press to switch between the following mode: TV IN--FM--AV IN--DVD.
- 27) USB/GAME : Press to switch between DVD, USB and SD card.

3 Source



4.1 General Setup Page

Press SETUP button to General Setup Page when dvd is playing.

TV Display

For TV display mode, you can choose Normal / Ps, Normal / Lb or Wide mode.

Angle Mark

Select on or off.



OSD menu languages

For OSD menu languages, you can choose English, Chinese, French, German, Spanish, Italian, Portuguese or Russian.

Captions

Select on or off.

Screen Saver

Select on or off.

Last Memory

Select the last memory state on or off.

4.2 Audio Setup Page



Speaker Setup

Downmix

For downmix, you can choose Lt / Rt, Stereo or V Surr mode.



Equalizer

Eq Type

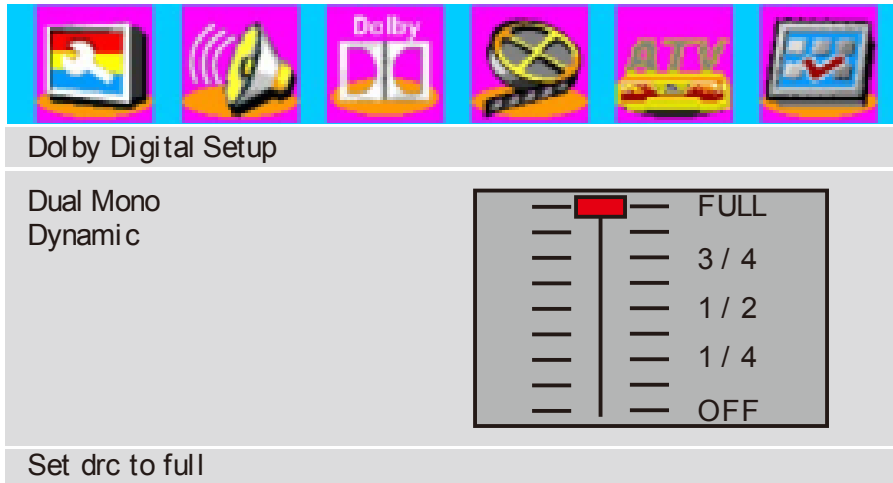
For equalizer type, you can choose rock, pop, live, dance, techno, classic or soft mode.

4.3 Dolby Digital Setup



Dual Mono

For dual mono, you can choose Stereo, L-Mono, R-Mono or Mix-Mono mode.

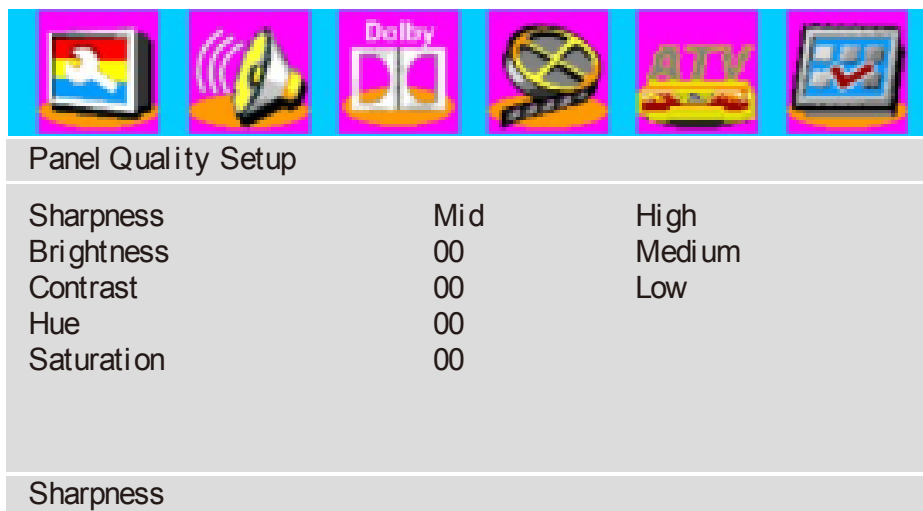


Dynamic

There are eight levels of dynamic for choose.

FULL--7 / 8--3 / 4--1 / 2-- 3 / 8--1 / 4 -- 1 / 8 -- OFF

4.5 Panel Quality Setup



Sharpness : You can choose high, medium or low mode.

Brightness : Adjust screen brightness from -16 to +16.

Contrast : Adjust screen contrast from-16 to +16

Hue : Adjust screen hue from-9 to +9

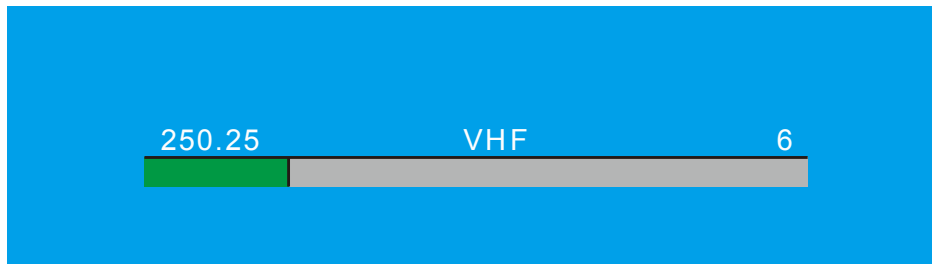
Saturation : Adjust screen saturation from-9 to +9

4.5 ATV Setup

Press MODE button to switch the TV IN and then press SETUP button to ATV setup page.

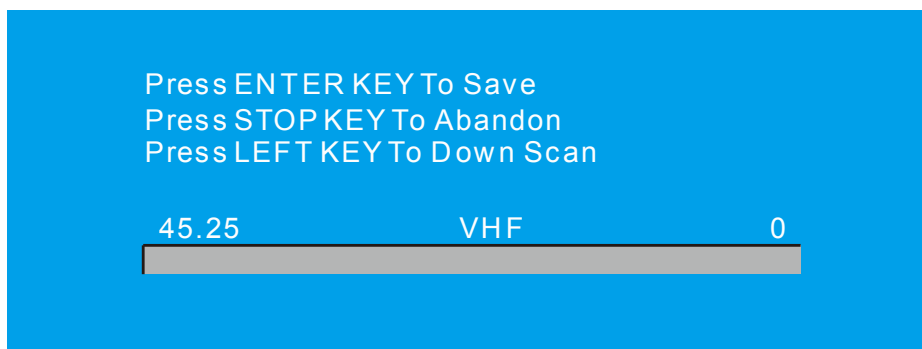


Auto Search



Manu Search

- Press ENTER key to save.
- Press STOP key to abandon.
- Press LEFT key to down scan.



Fine Tune



ATV Audio Mode

There are night mode of audio for choose.
Please to choose the local audio system you need.

4.6. Preference Page

Press SETUP button to Preference Page when disc cover is open.



TV Type : Select TV standard.

PAL,AUTO,NTSC.

Audio : Select audio language.

Subtitle : Select subtitle language.

Disc Menu : Select menu language.

Parental : Select parental control.

1 Kid Saf , 2 G , 3 Pg , 4 Pg_13 , 5 Pgr , 6 R , 7 Nc17 , 8 Adult .

Password

Password Mode : Select on or off.

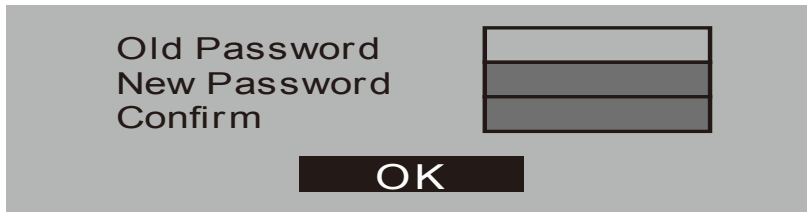
Input the password and press OK button if you want to change it.

The default password is 0000.



Password

Input the old password and new password, then press OK button if you want to change the password.



Default

Reset the system and load the factory setting.

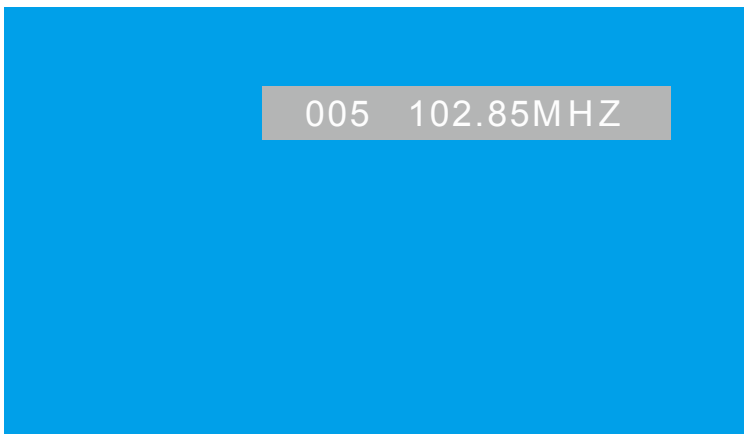
5 FM Setup

Press MODE button to FM .

Press button to select a band.

Press button to adjust value.

Press GO TO button to auto research.



6 Game

1) Press USB/GAME button on remote controller to switch game mode.

2) Insert the game controller into the plugs.

7 CD RIP

Press SUBTITLE button on remote controller to switch CD RIP mode.

CD RIP			
OPTIONS		TRACK	
Speed	Normal	track 01	03:40
Bit rate	128kbps	track 02	04:19
Create ID3	Yes	track 03	03:44
Device	USB1	track 04	05:13
SUMMARY		track 05	03:59
Selected Track	1	track 06	03:51
Selected Time	03:40	track 07	04:20
		▼	
Start	Exit	Select All	Select None

8 Product information

Power supply	Input : 100-240V~50/60Hz Output : DC 12V 1.5A
Power consumption	<15W
Operating temperature range	0-45 ° C
Laser wavelength	650 nm
Video output	
Format	PAL,NTSC,AUTO
Output level	1Vp - p \pm 20%
Load impedance	75 Ω
Audio line out	
Audio out (analog audio)	Output level : 2V \pm 10%
Load impedance	10K Ω
Audio distortion + noise	\cong -80 (1KHz)
Frequency response	20Hz-20KHz \pm 1dB
Signal/noise ratio	\cong 80 dB
Channel separation	\cong 80 dB
Dynamic range	\cong 80 dB